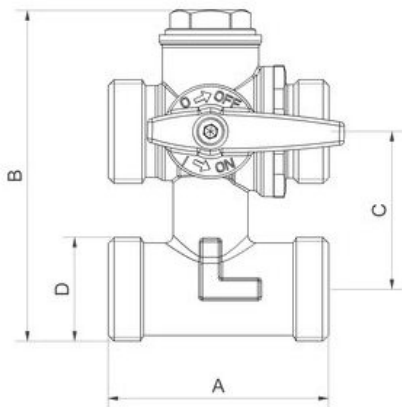


PRODUCT DATASHEET



3/4" Bypass valve suitable for 40mm pipe centres. Single, three seat, "T" port ball valve, 3/4" euroconus connections. For close coupling to Fan coil units.

DIMENSIONS



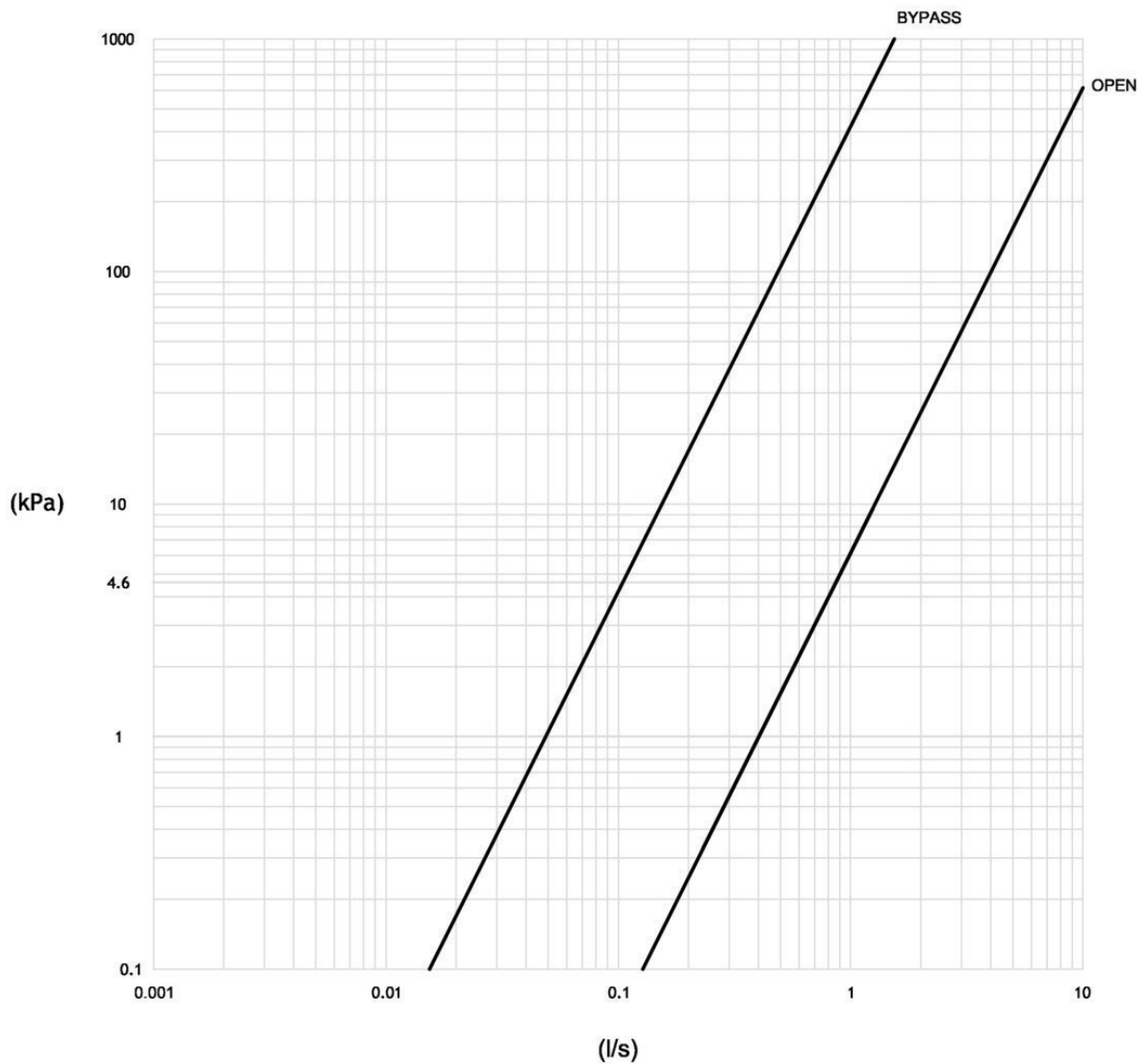
Part No'	Size	A	B	C	D	E	F	G	H	Weight	PN	MIN °C	MAX °C
XTEB3.06	3/4"	56	84	40	26						10	-10.00	120.00

MATERIAL

Component	Material
Ball	BRASS Cw617N (CZ122)
Body	BRASS Cw617N (CZ122)
Cap	BRASS Cw614N (CZ121)
Seat	PTFE
Stem	BRASS Cw614N (CZ121)
Tail	BRASS Cw614N (CZ121)

# FLOW CHARACTERISTICS

## XTEB3.06



Part No'	Kv	Kvs	KV @ 30%
XTEB3.06	14.50		3.25

## SPECIFICATION TEXT

Flushing bypass valves should be provided to all terminal units. The flushing bypass valve should be constructed of hot forged brass and use a three seat three port ball valve to control the flow direction. The centre to centre distance of the bypass shall be 40mm in order to allow direct connection to the terminal unit.

As supplied by Marflow Hydraulics Ltd  
Tel: 0121 358 1555  
[www.marflowhydraulics.co.uk](http://www.marflowhydraulics.co.uk)