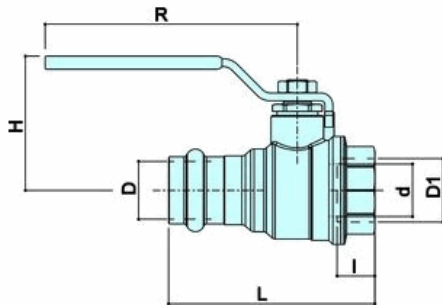


PRODUCT DATASHEET



Press fit valve. Suitable for copper or steel pipe, compatible with M and V profile jaws (order M version in DN35 and above for use with M profile jaws). TEA finish, lever handle. Press fit and female BSP ends.

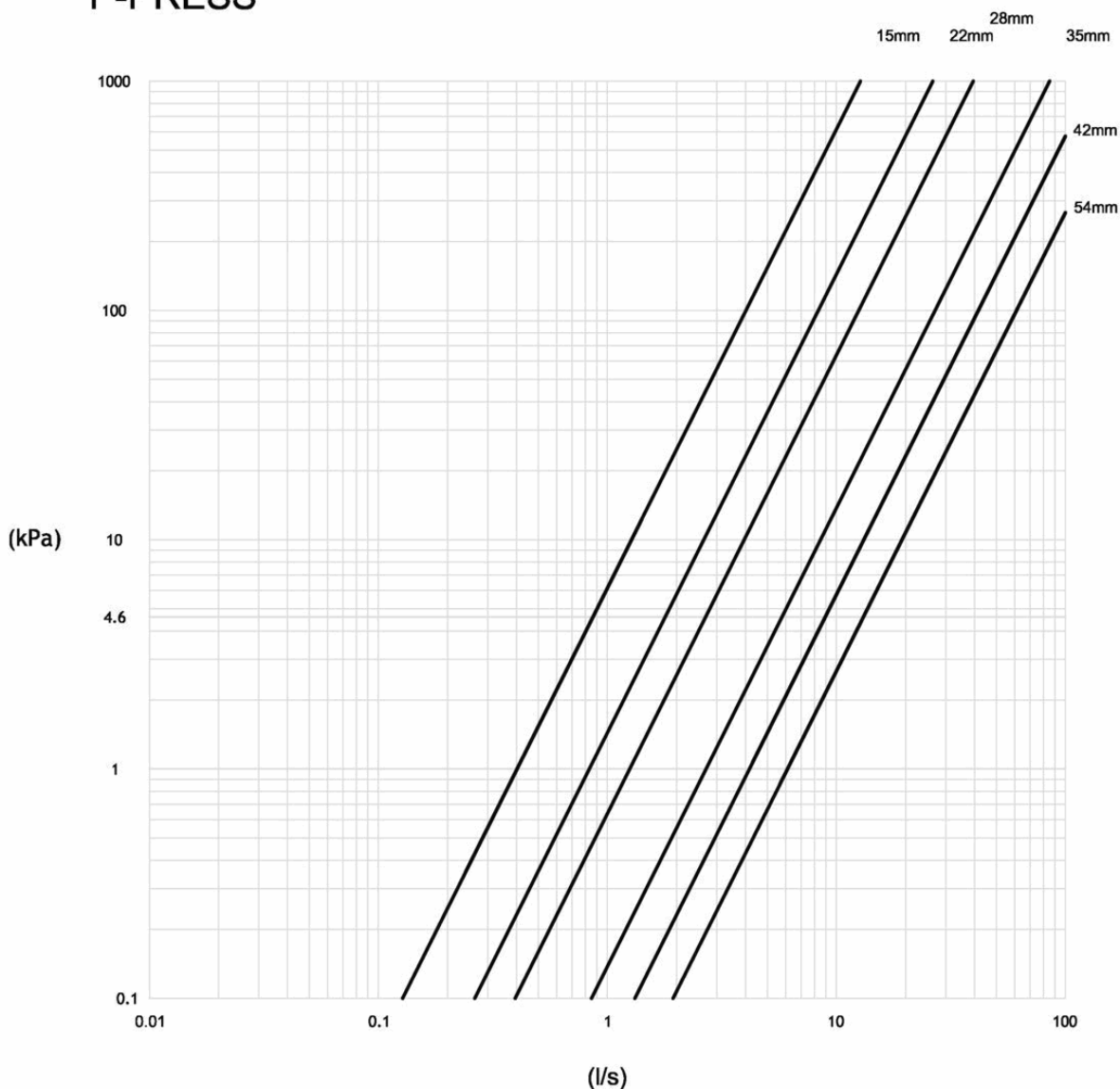
DIMENSIONS



Part No'	Size	A	B	C	D	E	F	G	H	Weight	PN	MIN °C	MAX °C
P100/0.04	15mm										16		
P100/0.06	22mm										16		
P100/0.08	28mm										16		
P100/0.10	35mm										16		
P100/0.12	42mm										16		
P100/0.16	54mm										16		

# FLOW CHARACTERISTICS

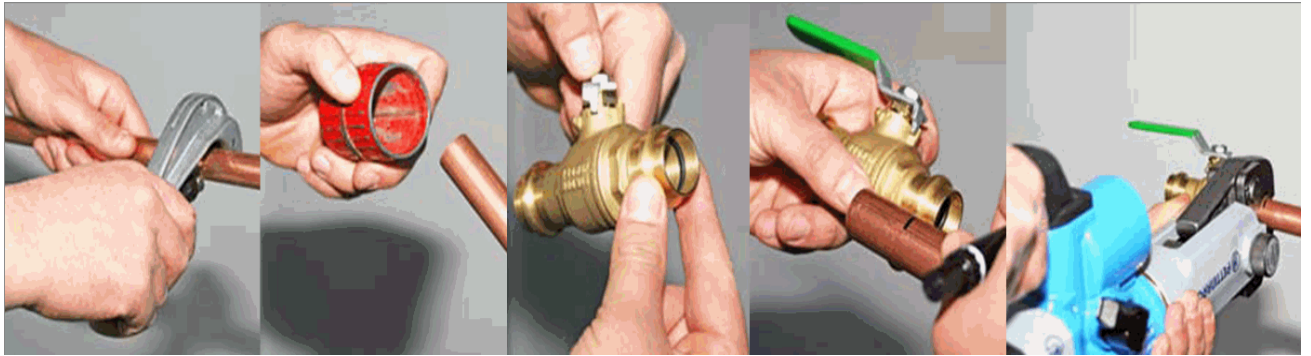
## P-PRESS



Part No'	Kv	Kvs	KV @ 30%
P100/0.04	14.50		
P100/0.06	30.00		
P100/0.08	45.00		
P100/0.10	97.00		
P100/0.12	15.00		
P100/0.16	220.00		

## FITTING NOTES/INSTRUCTIONS

- 1) Ensure pipe ends are properly de-burred and free from sharp edges
- 2) Check the presence and condition of the O-Ring
- 3) Insert pipe into the end of the valve and mark off the maximum depth of insertion
- 4) Press fully until the press gun clicks out.



## SPECIFICATION TEXT

Where isolation valves DN15 - DN50 are required a PPress series ball valve with integral press fit connections should be installed. Quarter turn Isolation valve manufactured from Hot forged DZR with TEA coating and frost proofed ball, triple sealed blow out proof stem with 2 O-Rings and virgin PTFE packing gland.

As supplied by Marflow Hydraulics Ltd

Tel: 0121 358 1555

[www.marflowhydraulics.co.uk](http://www.marflowhydraulics.co.uk)