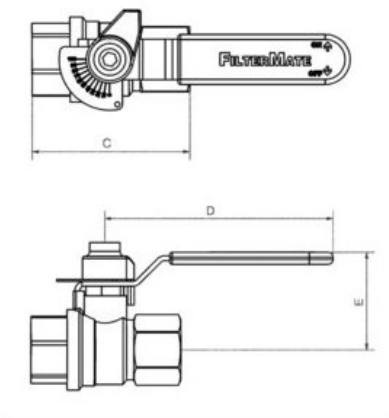


PRODUCT DATASHEET

Full port ball valve with patented double regulation and indicator function. DZR body, female screwed BSP ends.



DIMENSIONS



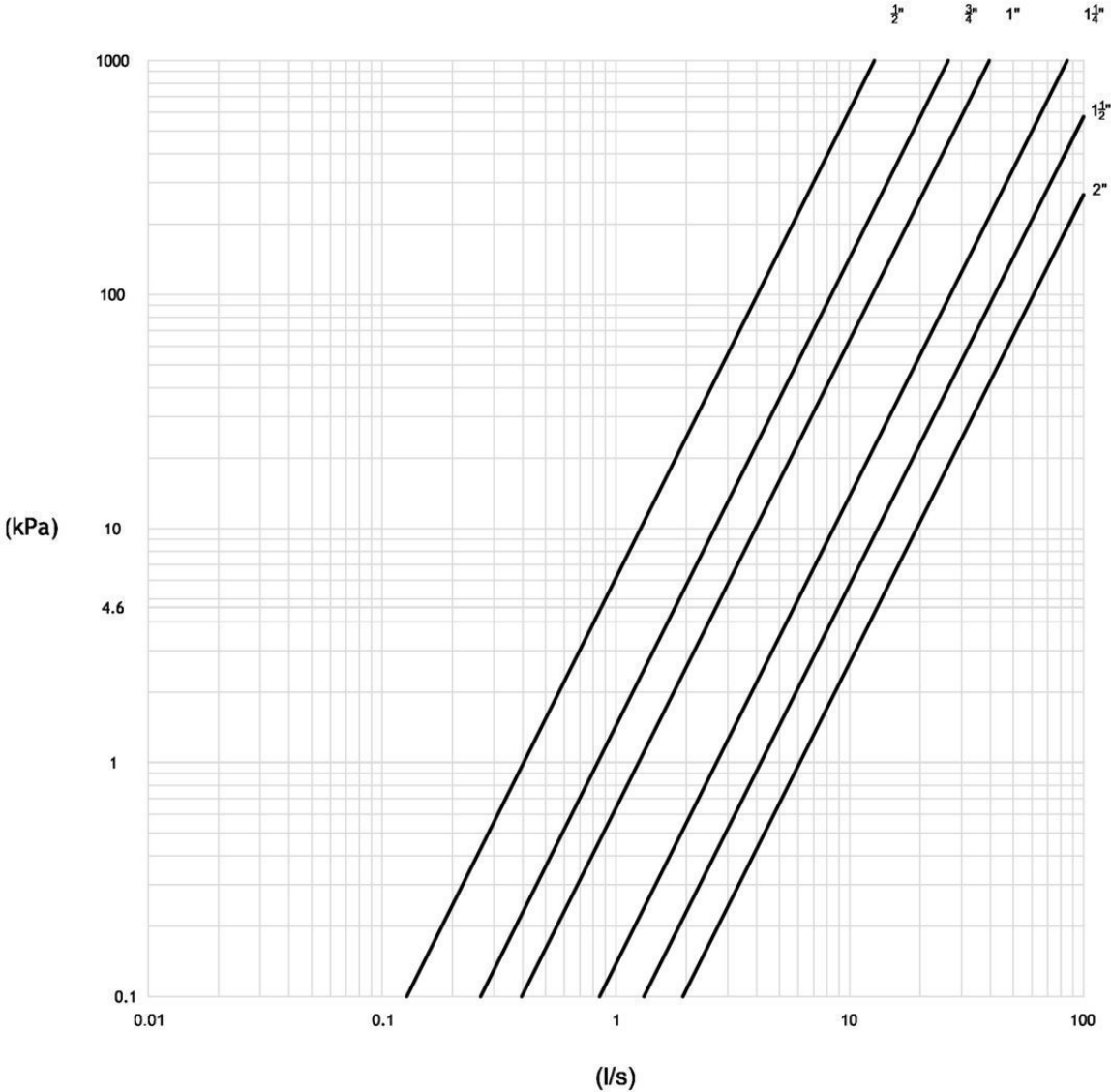
Part No'	Size	A	B	C	D	E	F	G	H	Weight	PN	MIN °C	MAX °C
FR5904	1/2"			62	75	39				0.20	42	-20.00	100.00
FR5906	3/4"			69	95	49				0.40	42	-20.00	100.00
FR5908	1"			84	120	61				0.70	35	-20.00	100.00
FR5910	1 1/4"			96	120	66				1.00	35	-20.00	100.00
FR5912	1 1/2"			106	150	82				1.40	35	-20.00	100.00
FR5916	2"			127	150	89				2.20	35	-20.00	100.00

MATERIAL

Component	Material
Ball	DZR BRASS Cw602N (CZ132)
Body	DZR BRASS Cw602N (CZ132)
Lever	PRESSED STEEL
O-Ring	VITON
Seat	PTFE
Stem	DZR BRASS Cw602N (CZ132)
Stuffing Box	BRASS Cw614N (CZ121)

FLOW CHARACTERISTICS

FM51



Part No'	Kv	Kvs	KV @ 30%
FR5904	14.50		
FR5906	30.00		
FR5908	45.00		
FR5910	97.00		
FR5912	150.00		
FR5916	220.00		

SPECIFICATION TEXT

Where double regulation valves are shown DN15 to DN50 a Filtermate Regulator double regulating DZR ball valve with memory stop and indicator shall be installed.

As supplied by Marflow Hydraulics Ltd

Tel: 0121 358 1555

www.marflowhydraulics.co.uk