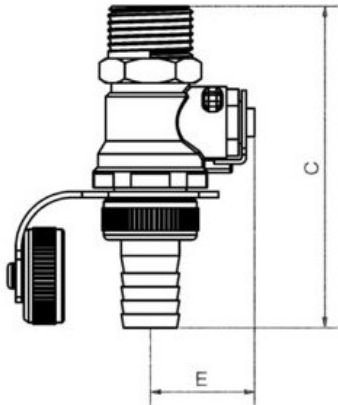


PRODUCT DATASHEET

Quarter turn drain valves



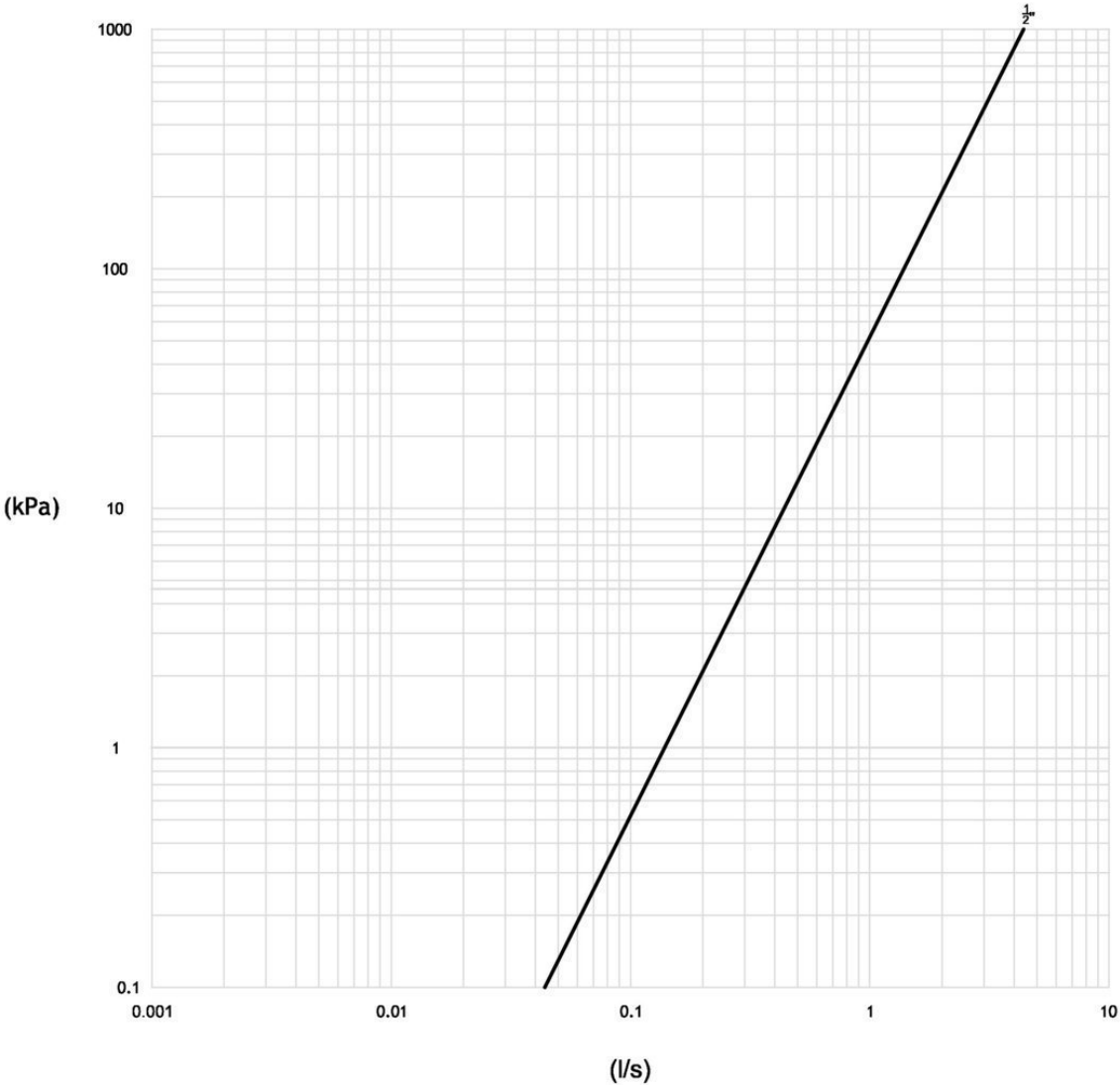
DIMENSIONS



Part No'	Size	A	B	C	D	E	F	G	H	Weight	PN	MIN °C	MAX °C
DV51.04	1/2"			83		28				0.20	25		
DV52.04	1/2"				80	28				0.20	25		

FLOW CHARACTERISTICS

DV51



Part No'	Kv	Kvs	KV @ 30%
DV51.04	5.00		0.18
DV52.04	5.00		0.18