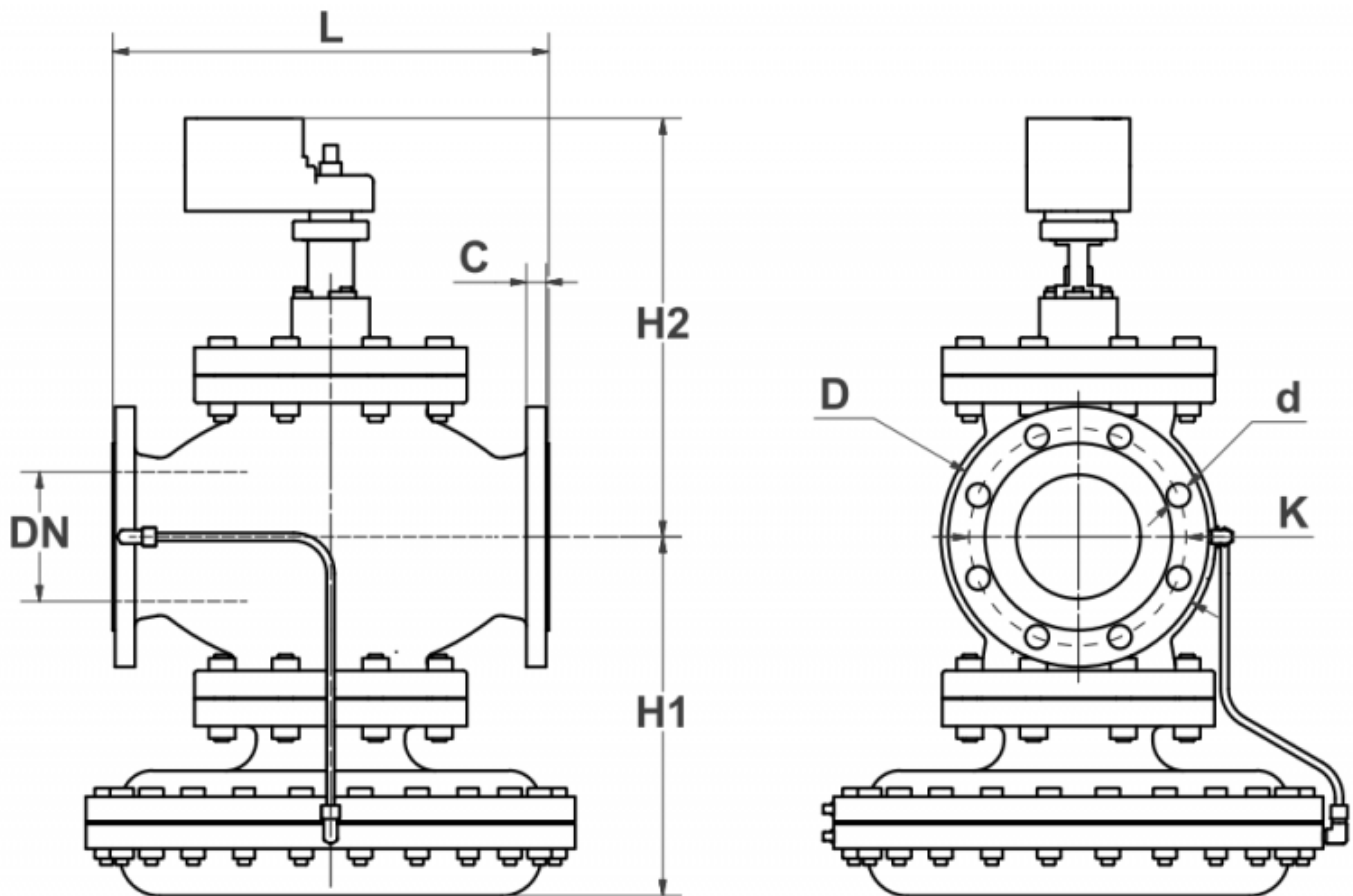


# Pre-Settable 65mm-150 Cast Iron Flanged



# Pre-Settable 65mm-150 Cast Iron Flanged

## Dimensions



Art.	H1 (mm)	H2 (mm)	L* (mm)	DN (mm)	D (mm)	K (mm)	d (mm)	C (mm)
<b>94F 2"</b>	219	267	254	50	165	125	19	19
<b>94F 2 1/2"</b>	234	282	276	65	185	145	19	19
<b>94F 3"</b>	239	290	298	80	200	160	19	19
<b>94F 4"</b>	285	309	352	100	220	180	19	19
<b>94F 5"</b>	310	334	400	125	250	210	19	19

# Pre-Settable

## 65mm-150 Cast Iron Flanged

Art.	H1 (mm)	H2 (mm)	L* (mm)	DN (mm)	D (mm)	K (mm)	d (mm)	C (mm)
<b>94F 6"</b>	350	379	451	150	285	240	23	19

# Pre-Settable 65mm-150 Cast Iron Flanged

## Product Variations

PE94FH.65

Part No:	PE94FH.65
Short Description:	PICV, H Flow, DN65 (2 1/2")
Nominal Dimension [DN]:	65
Pressure Rating [PN]:	16
Max Flow Rate:	30000 l/h 8.33 l/s
Min Flow Rate:	3000 l/h 0.83 l/s
Weight [kg]:	48
Min Temperature [°C]:	0
Max Temperature [°C]:	100
Connection Size:	2 1/2"
Connection Type:	Flanged 2 1/2" EN 1092-2 EN 558 (face to face)
Supply Voltage:	24VAC

# Pre-Settable 65mm-150 Cast Iron Flanged

PE94FL.80

Part No:	PE94FL.80
Short Description:	PICV, L Flow, DN80 (3")
Nominal Dimension [DN]:	80
Pressure Rating [PN]:	16
Max Flow Rate:	30000 l/h 8.333 l/s
Min Flow Rate:	3000 l/h 0.83 l/s
Weight [kg]:	60
Min Temperature [°C]:	0
Max Temperature [°C]:	100
Connection Size:	3"
Connection Type:	Flanged 3" EN 1092-2 EN 558 (face to face)
Supply Voltage:	24VAC

# Pre-Settable 65mm-150 Cast Iron Flanged

PE94FL.100

Part No:	PE94FL.100
Short Description:	PICV, L Flow, DN100 (4")
Nominal Dimension [DN]:	100
Pressure Rating [PN]:	16
Max Flow Rate:	55000 l/h 15.28 l/s
Min Flow Rate:	5500 l/h 1.53 l/s
Weight [kg]:	102
Min Temperature [°C]:	0
Max Temperature [°C]:	100
Connection Size:	4"
Connection Type:	Flanged 4" EN 1092-2 EN 558 (face to face)
Supply Voltage:	24VAC

# Pre-Settable 65mm-150 Cast Iron Flanged

PE94FL.125

Part No:	PE94FL.125
Short Description:	PICV, L Flow, DN125 (5")
Nominal Dimension [DN]:	125
Pressure Rating [PN]:	16
Max Flow Rate:	90000 l/h 25.00 l/s
Min Flow Rate:	9000 l/h 2.50 l/s
Weight [kg]:	126
Min Temperature [°C]:	0
Max Temperature [°C]:	100
Connection Size:	5"
Connection Type:	Flanged 5"EN 1092-2EN 558(face to face)
Supply Voltage:	24VAC

# Pre-Settable 65mm-150 Cast Iron Flanged

PE94FH.125

Part No:	PE94FH.125
Short Description:	PICV, H Flow, DN125 (5")
Nominal Dimension [DN]:	125
Pressure Rating [PN]:	16
Max Flow Rate:	120000 l/h 33.33 l/s
Min Flow Rate:	12000 l/h 3.33 l/s
Weight [kg]:	126
Min Temperature [°C]:	0
Max Temperature [°C]:	100
Connection Size:	5"
Connection Type:	Flanged 5"EN 1092-2EN 558 (face to face)
Supply Voltage:	24VAC



# Pre-Settable 65mm-150 Cast Iron Flanged

PE94FH.150

Part No:	PE94FH.150
Short Description:	PICV, H Flow, DN150 (6")
Nominal Dimension [DN]:	150
Pressure Rating [PN]:	16
Max Flow Rate:	150000 l/h 41.67 l/s
Min Flow Rate:	15000 l/h 4.17 l/s
Weight [kg]:	162
Min Temperature [°C]:	0
Max Temperature [°C]:	100
Connection Size:	6"
Connection Type:	Flanged 6" EN 1092-2 EN 558 (face to face)
Supply Voltage:	24VAC

# Pre-Settable

## 65mm-150 Cast Iron Flanged

### Materials

Component	Material
Regulating Valve Trim	Brass CW602N
Valve Stems	Stainless Steel 18-8
Diaphragm	EPDM / Stainless Steel 303
Actuator	High resistance polymer
Body Casting	Ductile iron
Gaskets	EPDM-x